

**CABIN ENVIRONMENTAL SYSTEM**  
**AIRPLANES 0001 THRU 0299**

REF DES	PART NUMBER	NOMENCLATURE							EFFECTIVITY	UNITS PER ASSY	
		1	2	3	4	5	6	7			
AC089		SPLICE								RF	
AF045	M81824/1-2	SPLICE							0001 - 0299	01	
AF079	M81714/65-20-2	SPLICE							V0A744	0001 - 0299	01
AF080	M81714/65-20-2	SPLICE							V0A744	0001 - 0299	01
DC053	SK510/5240A	DIODE - ZENER							V02735	0001 - 0299	01
DC054	S3106-3	DIODE ASSEMBLY (ZONE 254)							V06090	0001 - 0299	01
DC067	S3106-3	DIODE ASSEMBLY (ZONE 254)							V06090	0001 - 0299	01
DC068	S3106-3	DIODE ASSEMBLY (ZONE 254)							V06090	0001 - 0299	01
DC069	S3106-3	DIODE ASSEMBLY (ZONE 254)							V06090	0001 - 0299	01
DF013	1.5KE51CA	TRANSZORB (ZONE 242)							V24444	0001 - 0299	01
DF018	S3106-3	DIODE ASSEMBLY (ZONE 142)							V06090	0001 - 0299	01
DI013	V47ZA1	VARISTOR (ZONE 253)							V03508	0001 - 0299	01
DI014	V47ZA1	VARISTOR (ZONE 253)							V03508	0001 - 0299	01
DZ024	S3106-3	DIODE ASSEMBLY (ZONE 322)							V06090	0001 - 0299	01
GF003	6318106-2	GROUND STUD INSTL								0001 - 0299	01
GF007	6318106-2	GROUND STUD INSTL								0001 - 0299	01
GT005	6318363-2	GROUND STUD INSTL								0001 - 0299	01
JA003	M53474L22-41PW M85049/51-1-22N	CONNECTOR - AFT BULKHEAD FEEDTHRU (ZONE 261) . BACKSHELL							V96906 V96906	0001 - 0299	01 01
JA004	M53474L22-41PW M85049/51-1-22N	CONNECTOR - AFT BULKHEAD FEEDTHRU (ZONE 262) . BACKSHELL							V96906 V96906	0001 - 0299	01 01
JC001	5-203738-3 S2099-8 S2099-6	CONNECTOR - LEFT CIRCUIT BREAKER PANEL (ZONE 255) . SOCKET CONTACT 16-18 AWG . SOCKET CONTACT 20-24 AWG							V00779 V00779	0001 - 0299	01 AR AR
JF035	207359-1	CONNECTOR - PART OF ZF001 REGULATOR ASSEMBLY (ZONE 241)							V00779	0001 - 0299	01
JI025	5-203738-0 S2099-8 S2099-6	CONNECTOR - TILT PANEL (ZONE 253) . SOCKET CONTACT 16-18 AWG . SOCKET CONTACT 20-24 AWG							V00779 V00779	0001 - 0299	01 10 40
JZ004	MS27497E24F61SA S3075-24	CONNECTOR - RIGHT POWER JUNCTION BOX (ZONE 322) . BACKSHELL							V96906	0001 - 0299	01 01
JZ036	MS27497E24F29SA S3075-24	CONNECTOR - RIGHT POWER JUNCTION BOX (ZONE 322) . BACKSHELL							V96906	0001 - 0299	01 01
KZ025	M6106/19-012 S3193-1	RELAY - FRESH AIR FAN (ZONE 322) . SOCKET CONTACT							V2920	0001 - 0299	01 01
MF002		FAN - DEFOG (ZONE 242)									RF
MT004		FAN - FRESH AIR (ZONE 311)									RF
PA003	M53475L22-41SW M85049/51-1-22N	CONNECTOR - AFT BULKHEAD FEEDTHRU (ZONE 311) . BACKSHELL							V96906 V96906	0001 - 0299	01 01
PA004	M53475L22-41SW M85049/51-1-22N	CONNECTOR - AFT BULKHEAD FEEDTHRU (ZONE 312) . BACKSHELL							V96906 V96906	0001 - 0299	01 01
PC001	5-203738-0 S2353-7 S2353-3	CONNECTOR - CIRCUIT BREAKER PANEL (ZONE 255) . PIN CONTACT 16-18 AWG . PIN CONTACT 20-24 AWG							V00779 V00779	0001 - 0299	01 AR AR
PF035	207360-1 S2099-6	CONNECTOR - REGULATOR ASSEMBLY (ZONE 241) . SOCKET CONTACT							V00779 V00779	0001 - 0299	01 03
PI003	MS27484T22F35S S3075-22	CONNECTOR - ANNUNCIATOR PANEL (ZONE 245) . BACKSHELL							V96906	0001 - 0299	01 01
PI025	5-203738-3 66098-6 S2353-3	CONNECTOR - TILT PANEL (ZONE 253) . CONTACT 16-18 AWG . CONTACT 20-24 AWG							V00779 V00779 V00779	0001 - 0299	01 10 40
PT041	6-203736-0 S2099-3 S2099-4	CONNECTOR (ZONE 322) . CONTACT 16 AWG . SOCKET CONTACT							V00779 V00779	0001 - 0299	01 02 34
PZ004	MS27484T24F61PA M85049/49-2-24N	CONNECTOR - RIGHT POWER JUNCTION BOX (ZONE 322) . BACKSHELL							V96906	0001 - 0299	01 01
PZ036	MS27484T24F29PA M85049/49-2-24N	CONNECTOR - RIGHT POWER JUNCTION BOX (ZONE 322) . BACKSHELL							V96906	0001 - 0299	01 01
SI059	S3200-3	SWITCH - BLEED AIR SELECT (ZONE 253)								0001 - 0299	01
SI079	A3-200-01	SWITCH - FORWARD EVAPORATOR FAN (ZONE 253)							V81640	0001 - 0299	01
SI080	A3-212-01	SWITCH - AFT EVAPORATOR FAN (ZONE 253)							V81640	0001 - 0299	01
SI107	A3-200-01	SWITCH - DEFOG FAN (ZONE 253)							V81640	0001 - 0299	01
UI001		ANNUNCIATOR PANEL (ZONE 245)									RF
WF003	0805LS1G	SOLENOID - DEFOG DIVERTER (ZONE 142)							V19541	0001 - 0299	01
ZF001		REGULATOR ASSEMBLY (ZONE 241)									RF

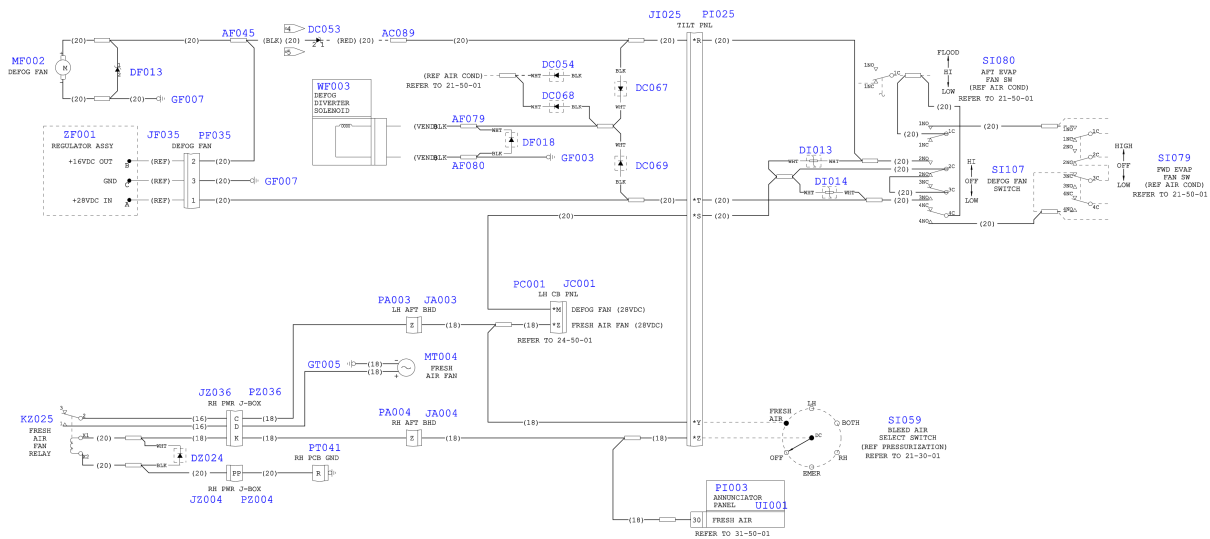
**CABIN ENVIRONMENTAL SYSTEM**  
**AIRPLANES 0001 THRU 0299**

REF DES	PART NUMBER	NOMENCLATURE	EFFECTIVITY							UNITS PER ASSY	
			1	2	3	4	5	6	7		
AF075	MB1714/65-20-2	SPLICE							V0A744	0001 - 0299	01
AF076	MB1714/65-20-2	SPLICE							V0A744	0001 - 0299	01
AF077	MB1714/65-20-2	SPLICE							V0A744	0001 - 0299	01
AF078	MB1714/65-20-2	SPLICE							V0A744	0001 - 0299	01
AT087	MB1714/65-20-2	SPLICE							V0A744	0001 - 0299	01
DF014	S3106-3	DIODE ASSEMBLY (ZONE 152)							V06090	0001 - 0299	01
DF017	S3106-3	DIODE ASSEMBLY (ZONE 152)							V06090	0001 - 0299	01
DZ021	S3106-3	DIODE ASSEMBLY (ZONE 322)							V06090	0001 - 0299	01
GC013	6318106-2	GROUND STUD INSTL								0001 - 0299	01
GF008	6318106-2	GROUND STUD INSTL								0001 - 0299	01
GT001	6318363-2	GROUND STUD INSTL								0001 - 0299	01
JA003	MS3474L22-41PW MB5049/51-1-22N	CONNECTOR - AFT BULKHEAD FEEDTHRU (ZONE 261) . BACKSHELL							V96906 V96906	0001 - 0299	01 01
JA004	MS3474L22-41PW MB5049/51-1-22N	CONNECTOR - AFT BULKHEAD FEEDTHRU (ZONE 262) . BACKSHELL							V96906 V96906	0001 - 0299	01 01
JC001	5-203738-3 S2099-8 S2099-6	CONNECTOR - LEFT CIRCUIT BREAKER PANEL (ZONE 255) . SOCKET CONTACT 16-18 AWG . SOCKET CONTACT 20-24 AWG							V00779 V00779	0001 - 0299	01 AR AR
JC072	03-06-1023 S2216-4	RECEPTACLE - TEMPERATURE SENSOR (ZONE 261) . SOCKET CONTACT							V27264 V27264	0001 - 0299	01 02
JI025	5-203738-0 S2099-8 S2099-6	CONNECTOR - TILT PANEL (ZONE 253) . SOCKET CONTACT 16-18 AWG . SOCKET CONTACT 20-24 AWG							V00779 V00779	0001 - 0299	01 10 40
JZ001	MS27497E24F2SN MB5049/27-24N	CONNECTOR - LEFT POWER JUNCTION BOX (ZONE 322) . BACKSHELL								0001 - 0299	01 01
KZ023	MB3536/9-024 451116-141	RELAY - AUTO HEAT CONTROL (ZONE 322) . RELAY SOCKET							V2X920 V03743	0001 - 0299	01 01
NZ124		CIRCUIT BOARD - GEAR MONITOR (ZONE 255)									RF
NZ126		CIRCUIT BOARD - ENVIRONMENTAL (ZONE 255)									RF
PA003	MS3475L22-41SW MB5049/51-1-22N	CONNECTOR - AFT BULKHEAD FEEDTHRU (ZONE 311) . BACKSHELL							V96906 V96906	0001 - 0299	01 01
PA004	MS3475L22-41SW MB5049/51-1-22N	CONNECTOR - AFT BULKHEAD FEEDTHRU (ZONE 312) . BACKSHELL							V96906 V96906	0001 - 0299	01 01
PC001	5-203738-0 S2353-7 S2353-3	CONNECTOR - CIRCUIT BREAKER PANEL (ZONE 255) . PIN CONTACT 16-18 AWG . PIN CONTACT 20-24 AWG							V00779 V00779	0001 - 0299	01 AR AR
PC059	MS3475W8-4S MB5049/52-1-08N	CONNECTOR - CABIN TEMPERATURE SENSOR (ZONE 261) . BACKSHELL							V96906 V59976	0001 - 0299	01 01
PC072	03-06-2023 S2216-3	CONNECTOR - TEMPERATURE SENSOR (ZONE 261) . PIN CONTACT							V27264 V27264	0001 - 0299	01 02
PC094	M24308/2-4 MB5049/50-4	CONNECTOR - GEAR MONITOR CIRCUIT BOARD (ZONE 255) . BACKSHELL								0001 - 0299	01 01
PC096	M24308/2-4 MB5049/50-4	CONNECTOR - ENVIRONMENTAL CIRCUIT BOARD (ZONE 255) . BACKSHELL								0001 - 0299	01 01
PI025	5-203738-3 66098-6 S2353-3	CONNECTOR - TILT PANEL (ZONE 253) . CONTACT 16-18 AWG . CONTACT 20-24 AWG							V00779 V00779 V00779	0001 - 0299	01 10 40
PT020	MS3475L14-12S MB5049/55-14A	CONNECTOR - ACTUATOR VALVE (ZONE 312) . BACKSHELL							V96906	0001 - 0299	01 01
PT021	MS3475W8-4S MB5049/52-1-08N	CONNECTOR - TEMPERATURE SENSOR (ZONE 312) . BACKSHELL							V96906 V59976	0001 - 0299	01 01
PT040	6-203736-0 S2099-4	CONNECTOR (ZONE 322) . SOCKET CONTACT							V00779 V00779	0001 - 0299	01 34
PT045	MS3475L14-12SW MB5049/55-14A	CONNECTOR - TEMPERATURE CONTROL UNIT (ZONE 312) . BACKSHELL								0001 - 0299	01 01
PZ001	MS27484T24F2PN MB5049/49-2-24N	CONNECTOR - LEFT POWER JUNCTION BOX (ZONE 322) . BACKSHELL								0001 - 0299	01 01
SI027	MS35058-27	SWITCH - MANUAL CONTROL (ZONE 253)							V96906	0001 - 0299	01
SI028	VF5414	SWITCH - TEMPERATURE CONTROL (ZONE 253)							V71450	0001 - 0299	01
SI106	44A60-02-1-04N	SWITCH - AIR FLOW SELECT (ZONE 253)							V81073	0001 - 0299	01
TC007		TEMPERATURE SENSOR - CABIN (ZONE 261)									RF
TC008		TEMPERATURE SENSOR - ON GROUND AUTO HEAT (ZONE 261)									RF
UT005		ACTUATOR VALVE - RAM AIR MODULATING (ZONE 312)									RF
UT006		TEMPERATURE SENSOR - DUCT (ZONE 312)									RF
UT017		CONTROL UNIT - TEMPERATURE (ZONE 312)									RF
WF001	0905LS1G	SOLENOID - FORWARD ENVIRONMENTAL DIVERTER (ZONE 152)							V19541	0001 - 0299	01
WF002	0905LS1G	SOLENOID - AFT ENVIRONMENTAL DIVERTOR (ZONE 152)							V19541	0001 - 0299	01

Figure 01 : Sheet 01 : CABIN ENVIRONMENTAL SYSTEM

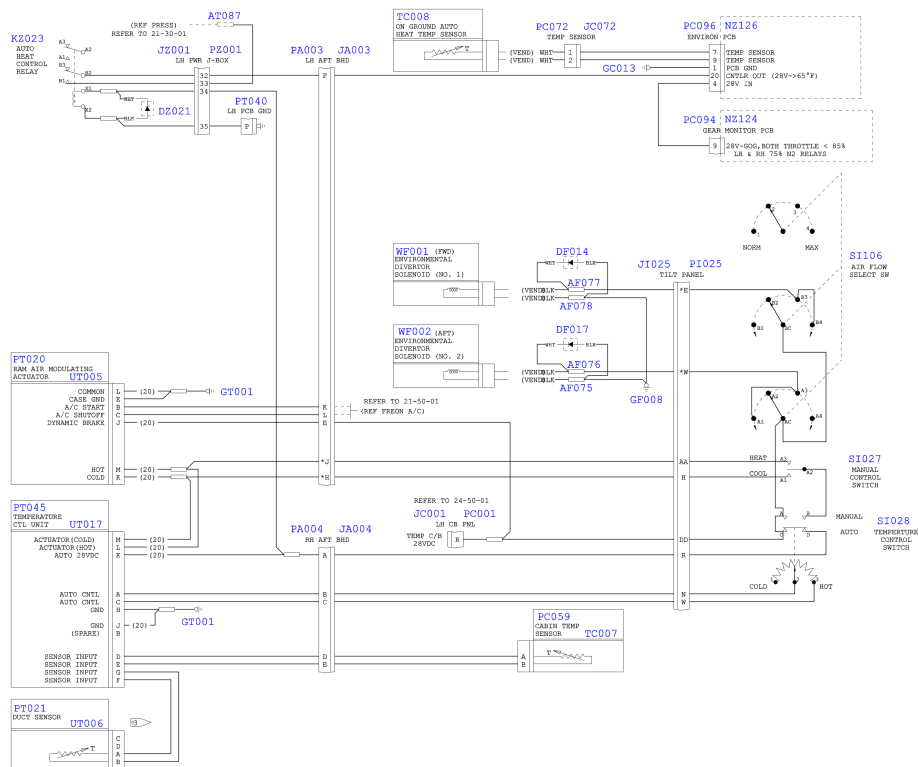
NOTES:

- 2. ALL WIRE PER MIL-W-8144/12, 22 AWG EXCEPT AS NOTED
- ① IDENTIFY WITH CH3987-3 NAMEPLATE LOCATED WITHIN 4" OF CONNECTOR
- ② RING TERMINAL TO BE INSTALLED ON BLACK WIRE OF DC053.
- ③ INSTALL BUSHING BODY OVER RING TERMINAL.
- \*\*\* REFER TO 31-50-01 FOR GROUND INFORMATION.



6377211B1

Figure 01 : Sheet 02 : CABIN ENVIRONMENTAL SYSTEM



6377211B2