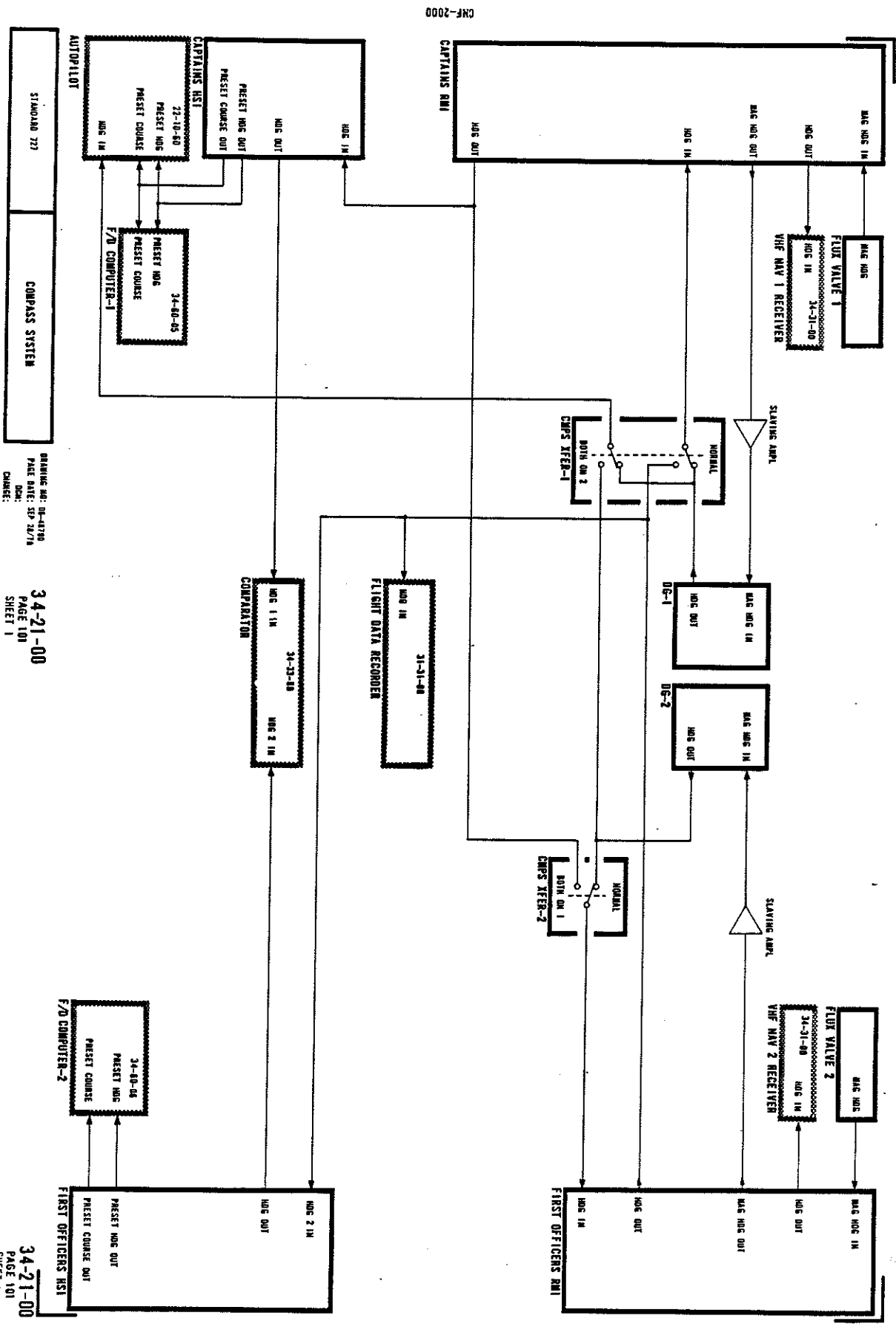


BOEING 727 SCHEMATIC



CRF-2000

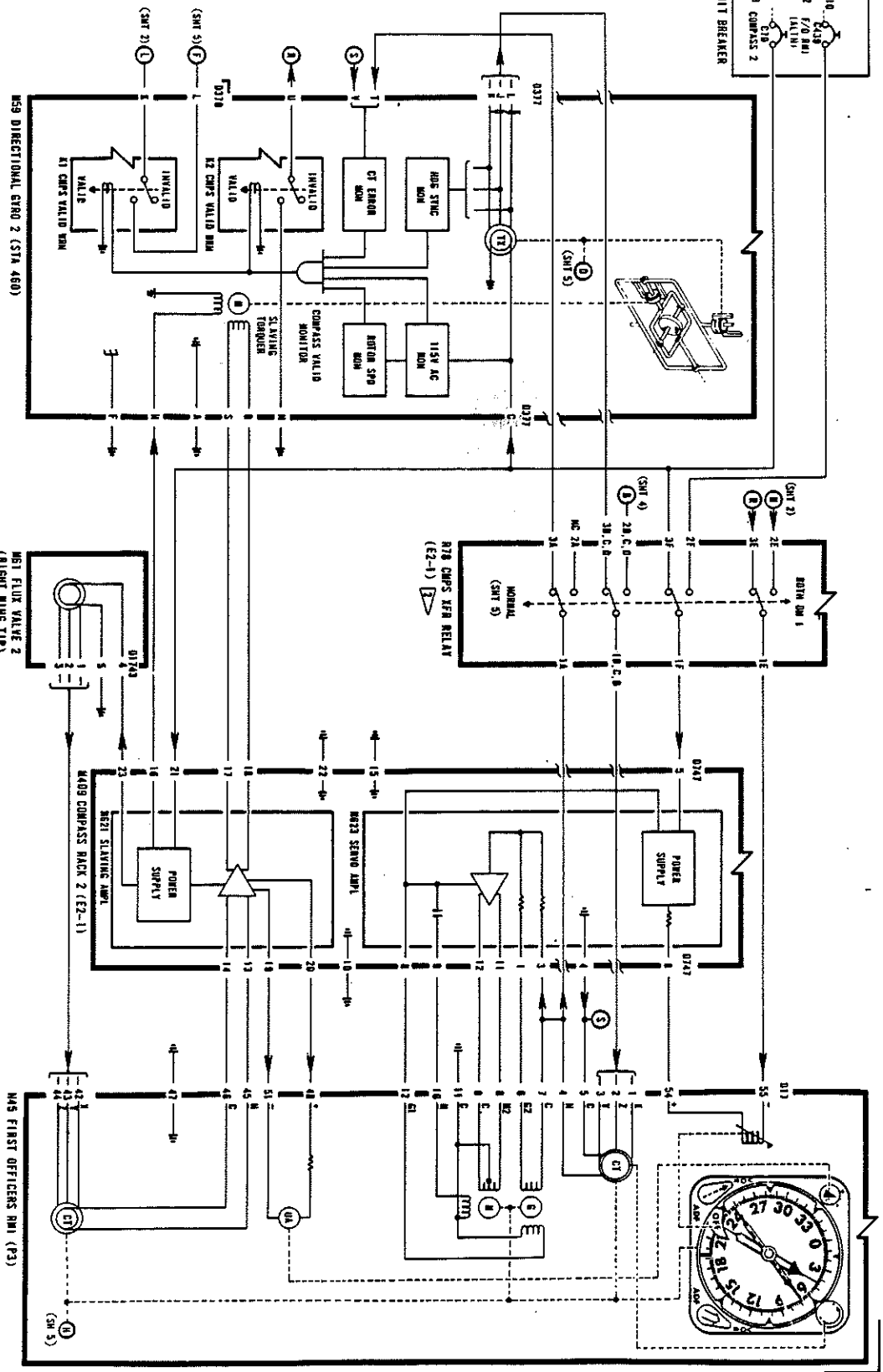
DRAWING NO: 06-4370
 PAGE DATE: SEP 28/76
 DDC:
 CHANGE:

34-21-00
 PAGE 101
 SHEET 1

34-21-00
 PAGE 101
 SHEET 1

BOEING 737 SCHEMATIC

FIG-1 CIRCUIT BREAKER PANEL
115V AC
ESS AUDIO
BUS 24-50-12 F/O PAI
115V AC (LALIN)
BUS 24-50-12 COMPASS 2
C18



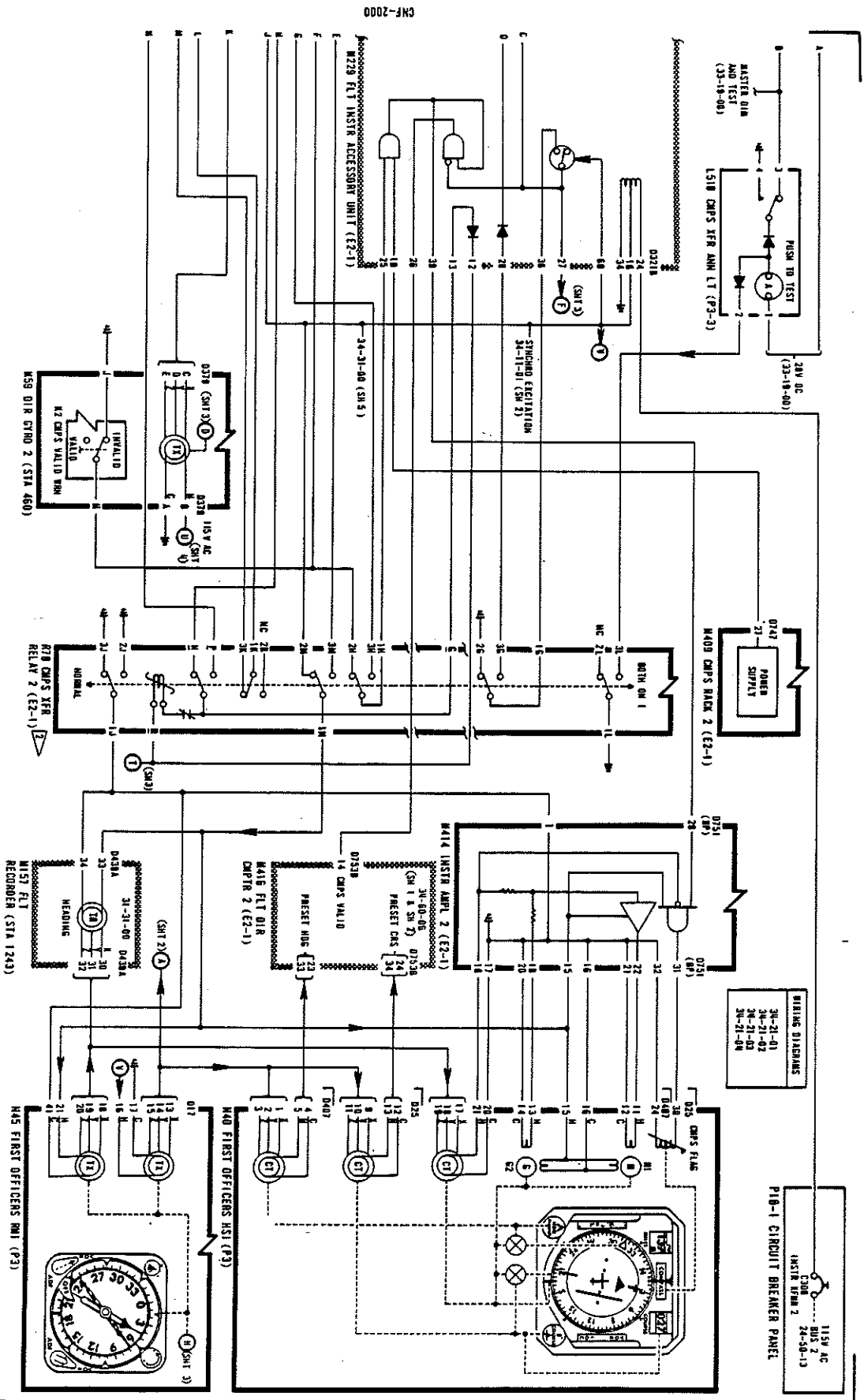
STANDARD 737 COMPASS SYSTEM
DRAWING NO: DR-401A
PAGE DATE: SEP 20/75
CHANGE:

34-21-00
PAGE 101
SHEET 3

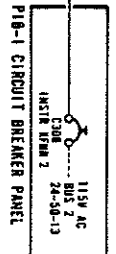
34-21-00
PAGE 101
SHEET 3

PREFIX 1 FOLLOWED BY RELAY CONNECTION LETTER (E2-1E), DENOTES CONNECTION DES. PREFIX 2 DENOTES M407. PREFIX 3 DENOTES 01605.

BEARING 723 SCHEMATIC



BILLING DISCHARGES	
34-21-01	
34-21-02	
34-21-03	
34-21-04	



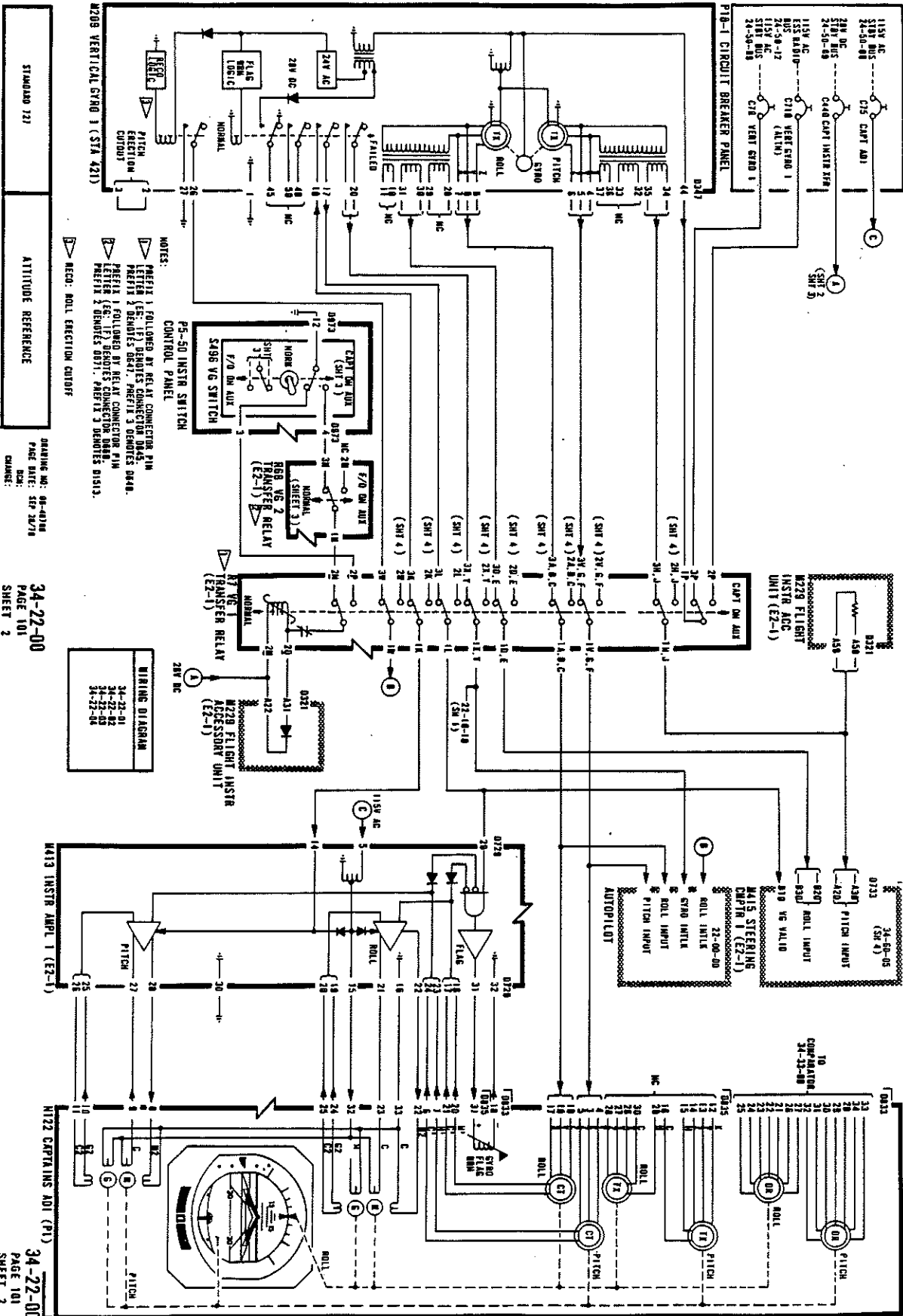
STANDARD 727 COMPASS SYSTEM

DRAWING NO: 84-4788
 DATE: SEP 24/78
 DRAWN BY: [blank]
 CHECKED BY: [blank]

34-21-00
 PAGE 101
 SHEET 5

34-21-00
 PAGE 101
 SHEET 5

PREFIX 1 FOLLOWED BY RELAY CONNECTION LETTER (E.G. 1F), DENOTES CONNECTION DATA PREFIX 2 DENOTES DATA PREFIX 3 DENOTES DATA



NOTES:

- △ PREFIX 1 FOLLOWED BY RELAY CONNECTOR PIN LETTER (E.g. 1F) DENOTES CONNECTOR DATA.
- △ PREFIX 2 DENOTES DEBIT. PREFIX 3 DENOTES DATA.
- △ PREFIX 1 FOLLOWED BY RELAY CONNECTOR PIN LETTER (E.g. 1F) DENOTES CONNECTOR DATA.
- △ PREFIX 2 DENOTES DEBIT. PREFIX 3 DENOTES DATA.

REC'D: ROLL EJECTION CHIFF

STANDARD 127

ATTITUDE REFERENCE

DRAWING NO: 99-4186
 PAGE DATE: SEP 28/78
 RCM:
 CHANG:

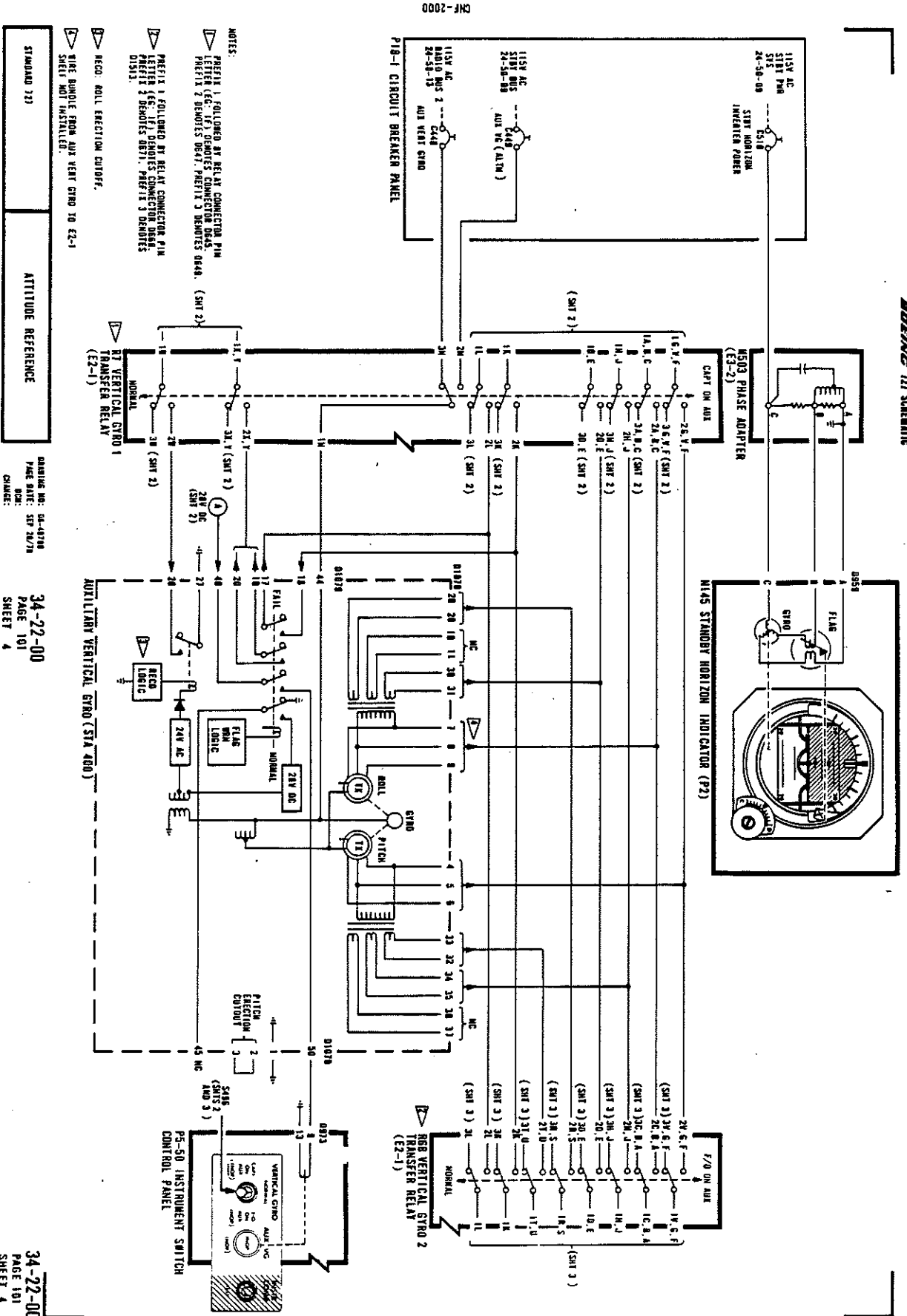
34-22-00
 PAGE 101
 SHEET 2

WIRING DIAGRAM

34-22-01
34-22-02
34-22-03
34-22-04

34-22-00
 PAGE 101
 SHEET 2

BOEING 727 SCHEMATIC



CRF-2000

NOTES:

- ▶ PREFIX 1 FOLLOWED BY RELAY CONNECTOR PIN LETTER (E.G. 1F) DENOTES CONNECTOR DASH PREFIX 2 DENOTES DBAT. PREFIX 3 DENOTES DB48. (SMT 2)
- ▶ PREFIX 1 FOLLOWED BY RELAY CONNECTOR PIN LETTER (E.G. 1F) DENOTES CONNECTOR DASH PREFIX 2 DENOTES DBAT. PREFIX 3 DENOTES DB48. (SMT 2)
- ▶ LETTER (E.G. 1F) DENOTES CONNECTOR DASH PREFIX 2 DENOTES DBAT. PREFIX 3 DENOTES DB48. (SMT 2)
- ▶ PREFIX 1 FOLLOWED BY RELAY CONNECTOR PIN LETTER (E.G. 1F) DENOTES CONNECTOR DASH PREFIX 2 DENOTES DBAT. PREFIX 3 DENOTES DB48. (SMT 2)

- ▶ RECD. ROLL EJECTION CUTOFF.
- ▶ WIRE BUNDLE FROM AUX VERT GYRO TO E2-1 SHEET NOT INSTALLED.

STANDARD 727 ATTITUDE REFERENCE

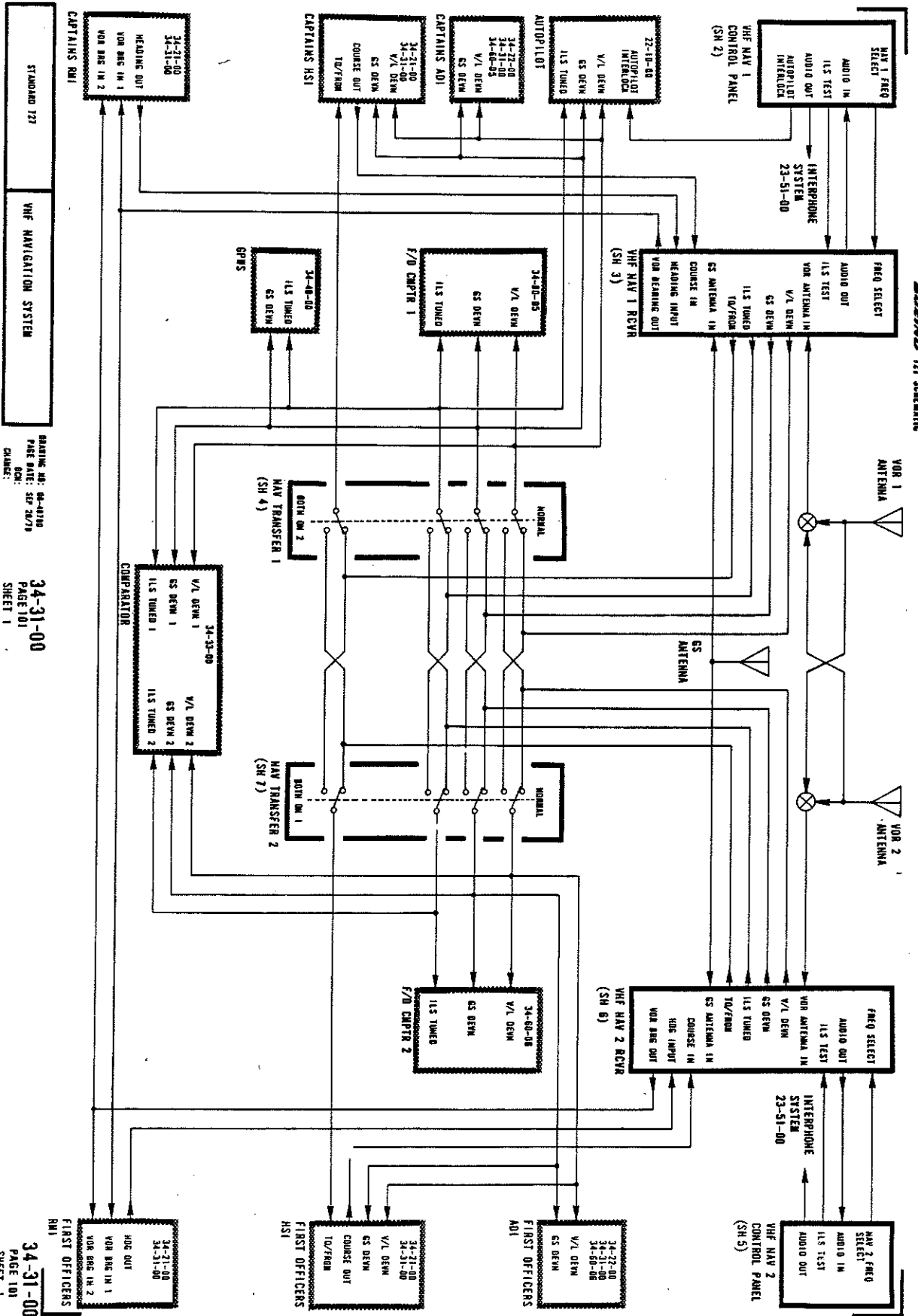
DATE: 05-07-78
PAGE: 101
DRAWN: SEP 26/78
CHANGE:

34-22-00
PAGE 101
SHEET 4

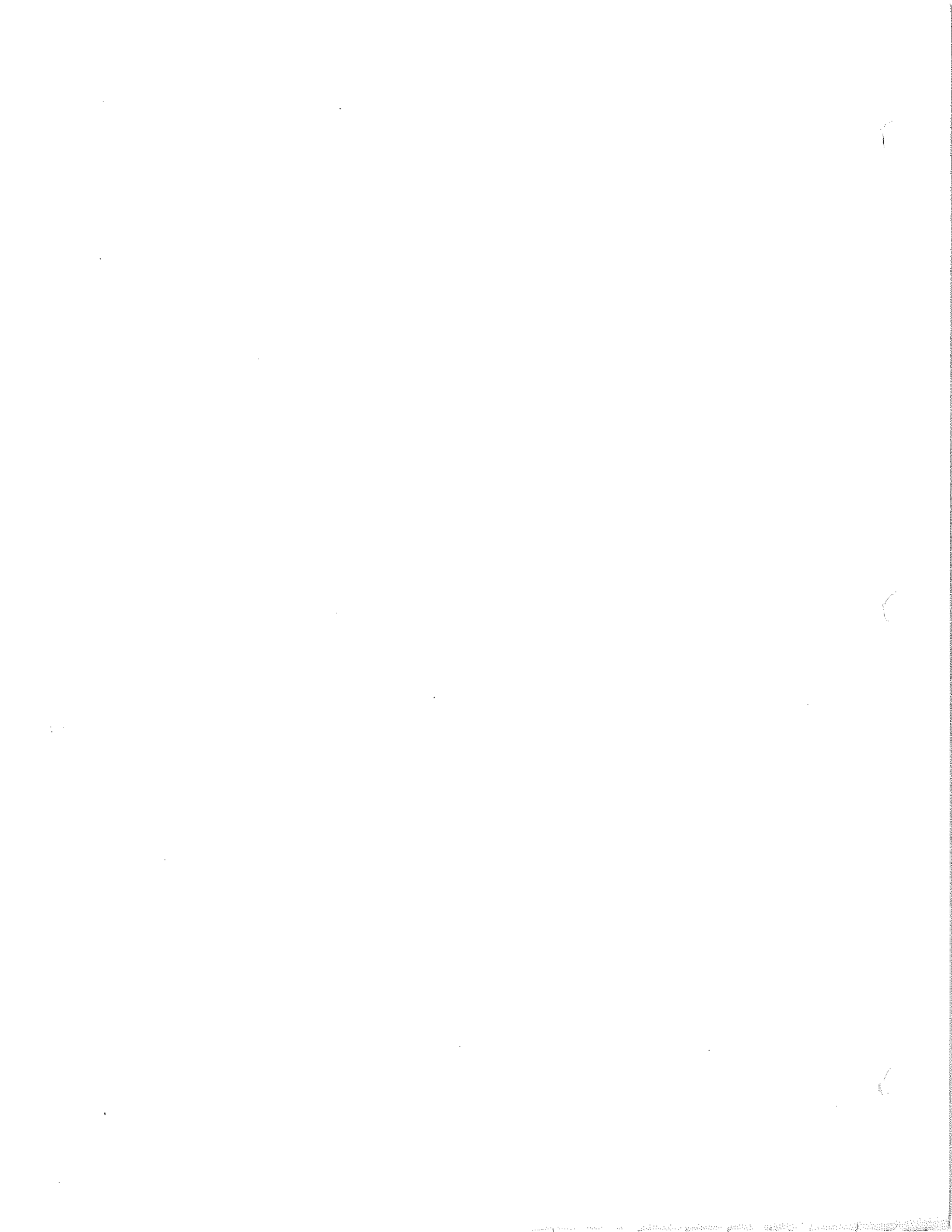
34-22-00
PAGE 101
SHEET 4

BOEING 737 SCHEMATIC

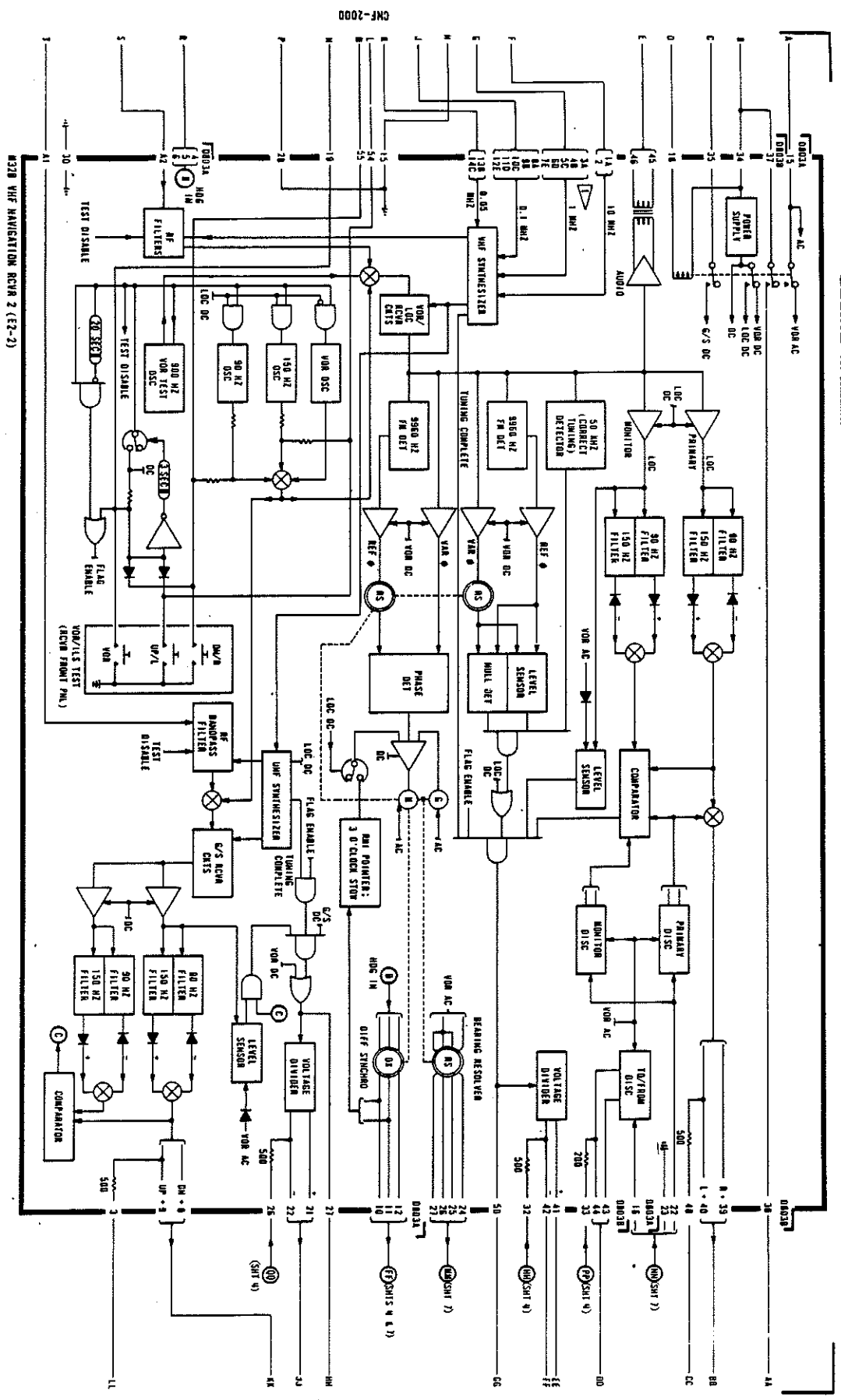
CHF-2000



STANDARD 737 VHF NAVIGATION SYSTEM
 DRAWING NO: 68-4310
 PAGE DATE: SEP 20/79
 CHG: 1
34-31-00
 PAGE 101
 SHEET 1



BOEING 727 SCHEMATIC



STANDARD 727 VHF NAVIGATION SYSTEM

DATE: 06-01-70
 PAGE DATE: SEP 24/71
 CHANGE: PAGE 101
 SHEET 8

34-31-00
 PAGE 101
 SHEET 8



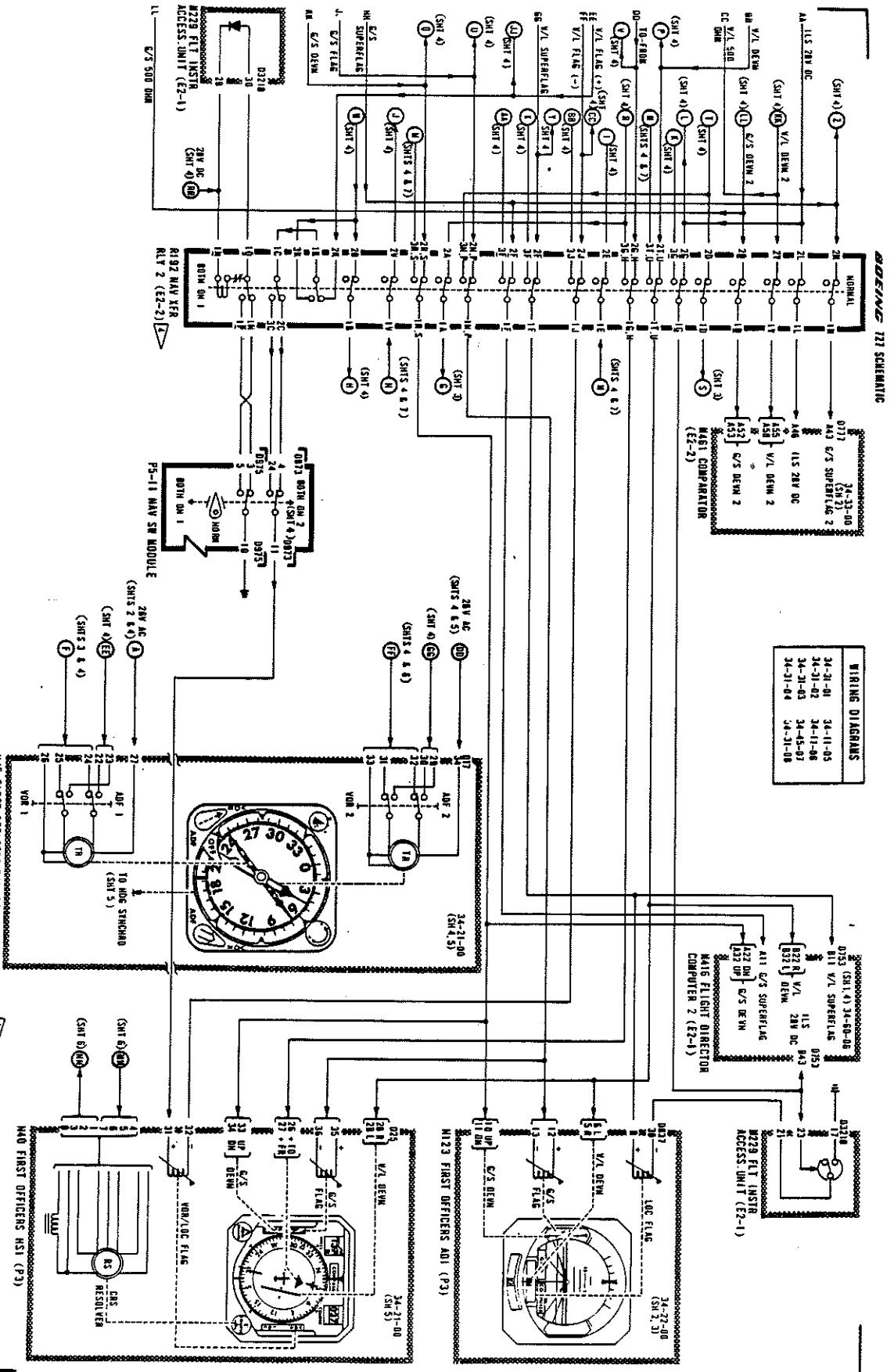
CHF-2000

STANDARD 722 WHF NAVIGATION SYSTEM

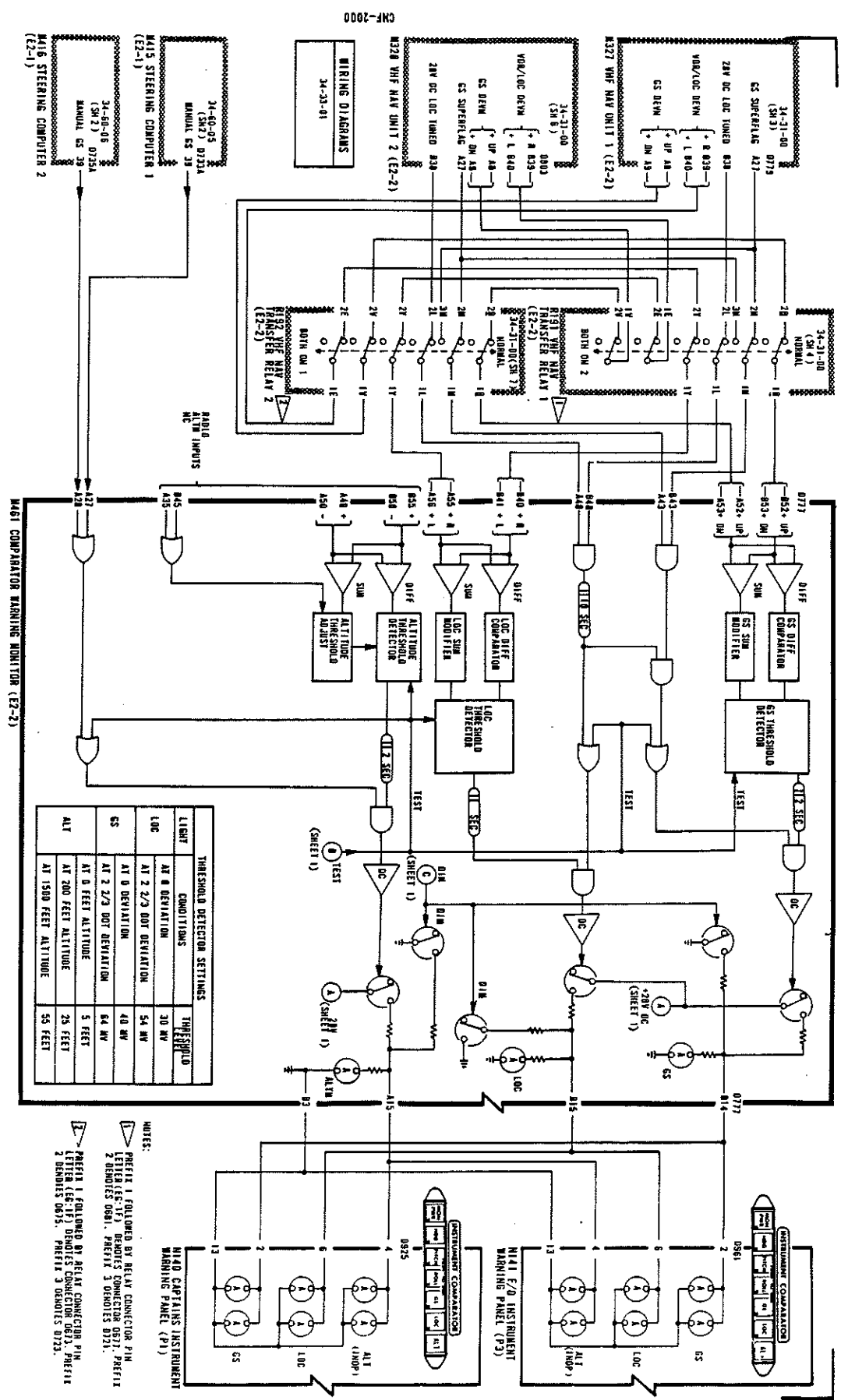
DRAWING NO: 00-40100 34-31-00
PAGE DATE: SEP 20/78 PAGE 101
DRAWN: CHM: SHEET 7

34-31-00
PAGE 101
SHEET 7

PREFIX 1 FOLLOWED BY DELAY CONNECTION PIN LETTER (E, F)
DENOTES CONNECTION 0633. PREFIX 2 DENOTES 0635. PREFIX 3
DENOTES 0722
34-31-00
PAGE 101
SHEET 7



BOEING 737 SCHEMATIC



THRESHOLD DETECTOR SETTINGS	THRESHOLD LEVEL
LOC	30 MW
SS	40 MW
ALT	5 FEET
ALT	25 FEET
ALT	55 FEET

- NOTES:**
- 1. PREFIX 1 FOLLOWED BY RELAY CONNECTOR PIN LETTERS (E2-1) DENOTES CONNECTOR 0521; PREFIX 2 DENOTES 0001; PREFIX 3 DENOTES 0121.
 - 2. PREFIX 1 FOLLOWED BY RELAY CONNECTOR PIN LETTERS (E2-1) DENOTES CONNECTOR 0073; PREFIX 2 DENOTES 0023; PREFIX 3 DENOTES 0123.